

# 1394b FireWire 800 PCI Express Host Adapter

## Installation Guide

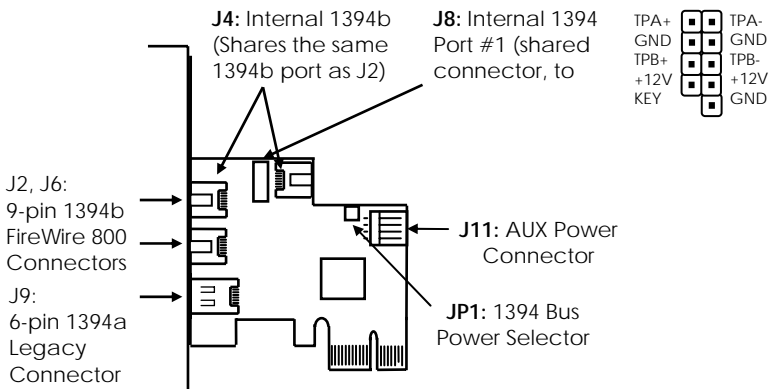
### 1. Introduction



Thank you for purchasing this IEEE 1394b FireWire 800 PCI Express Card. It is the next generation of FireWire technology, promises to spur the development of more innovative high-performance devices and applications. It doubles the throughput of the original 1394a technology, dramatically increases the maximum distance of FireWire connections, and supports many new types of cabling.

#### Features:

- ✓ Fully IEEE1394 OHCI compliance
- ✓ PCI Express Base Specifications 1.0a Compliant, 2.5Gbps (250Mbytes/sec) Transfer Rate
- ✓ Up to 800Mbps/sec IEEE 1394b FireWire 800 transfer rate
- ✓ Two 9-pin (1394b) and one 6-pin (1394a legacy) external connectors

### 2. Layout



JP1: IEEE1394 Bus Power Selector	Settings
Use +12V from PCI Express Slot (motherboard's PCB) for 1394 Bus Power	 <p>(default)</p>
Use Auxilliary Power from J5 (in this setting, please connect a power split cable from power supply to J6 of the Card)	

### 3. Installing the IEEE 1394b PCIe Host Adapter

1. Turn the system power OFF before installation!
2. Use static electricity discharge precautions.  
Remove possible static discharge potential from any objects that the host adapter may come in contact with before installation. This can be accomplished by touching a bare metal chassis rail after you have turned off the power.
3. Remove the chassis cover from your computer
4. Locate an unused PCI Express slot (typically white or black, smaller than PCI slot) and remove the corresponding slot cover from computer chassis.
5. Plug the IEEE 1394b PCI Express Host Adapter to the unused PCI Express expansion slot and attached the bracket to the computer chassis screw.
6. Installing IEEE1394 cables  
The IEEE 1394b host adapter has two external, one internal IEEE1394b 9-pin and one 6-pin 1394a connectors. The cables can be used as follows (they may not be included with this card):

1394 Connectors	Available 1394 Cables
9-pin 1394b connector (J3,J4,J6)	9-pin to 9-pin 9-pin to 6-pin 9-pin to 4-pin
6-pin 1394a connector	6-pin to 6-pin

(J5)	6-pin to 4-pin
------	----------------

- Up to 63 devices can be connected to the 1394b host adapter. No termination problem has to be care about. Simply connect the IEEE1394 devices to the host adapter using above 1394 cables.
- Put the chassis cover back on the computer.
- Turn ON the power of your computer and peripherals.

### 3. Software Installations

The following table lists the current OS support of the IEEE 1394b PCI Express Host Adapter. Since Windows bundled the IEEE 1394a drivers and Mac OS X bundled the 1394b FireWire 800 drivers, it does not need any additional driver to make it work (except the Win98SE and Mac OS 8.6 may need some updates from their web site):

OS	Driver Supports (Kernel)
Win98SE (Second Edition)	Yes (need a patch file, Note:1)
Win ME	Yes (Note:2)
Win 2000	Yes (Note:2)
Win XP	Yes ( for SP2)
Mac OS 8.6	Yes (need to update the FireWire Support, Note: 3)
Mac OS 9.x	Yes (Note:2)
Mac OS 10.x	Yes



#### Note:

- Win98SE:** Go to the following place to download the Win98SE patch file (or perform the Windows Update) from Microsoft Web site before installing any IEEE1394 Devices ( **you need to choose your own language before downloading the file, wrong language selection may cause problems in your win98SE**):

[http://www.microsoft.com/windows98/downloads/contents/wurecommended/s\\_wufeatured/1394/license.asp](http://www.microsoft.com/windows98/downloads/contents/wurecommended/s_wufeatured/1394/license.asp)

While you are running the path file, if you are prompted with the following messages during the installations, please click **“Yes”** for the confirmation. You may need to click 2 or 5 times.

2. Only supports 1394a mode by the bundled drivers in the OS.
3. **Mac OS 8.6:** It needs to upgrade the newest FireWire Support driver (e.g. FireWire Support 2.8.x) to function properly.