

Contents

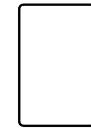
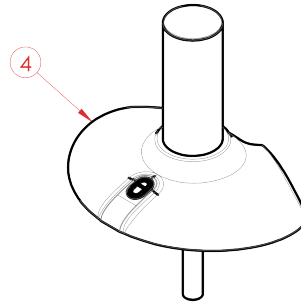
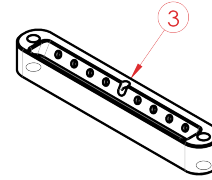
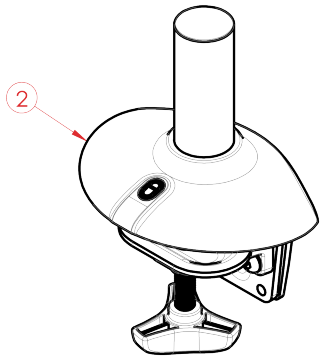
Pouch #	Part #	Qty	Description
	1	1	Arm Set
	2	1	Desk Clamp Base
	3	1	Mounting Plate
	4	1	Desk Grommet Base

Parts

Pouch #	Part #	Qty	Description
1	P-A	1	Access Card
2	P-B	2	Monitor Screw
3	P-C	2	M5x5mm Socket Set Screw
3	P-D	1	Fixed Clip
4	P-E	1	Arm Support Block
5	P-F	1	Adjustable Arm Axle Sleeve
6	P-G	1	Torx Tool
7	P-H	1	5mm Allen Wrench
8	P-I	1	2.5mm Allen Wrench
9	P-J	1	Adjustable Wrench

Parts

Pouch #	Part #	Qty	Description
1	G-A	1	M12 Flange Nut
1	G-B	1	Open Wrench
1	G-C	1	Round Plate



P-A



P-B



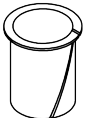
P-C



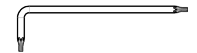
P-D



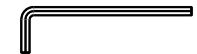
P-E



P-F



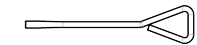
P-G



P-H



P-I



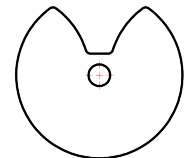
P-J



G-A

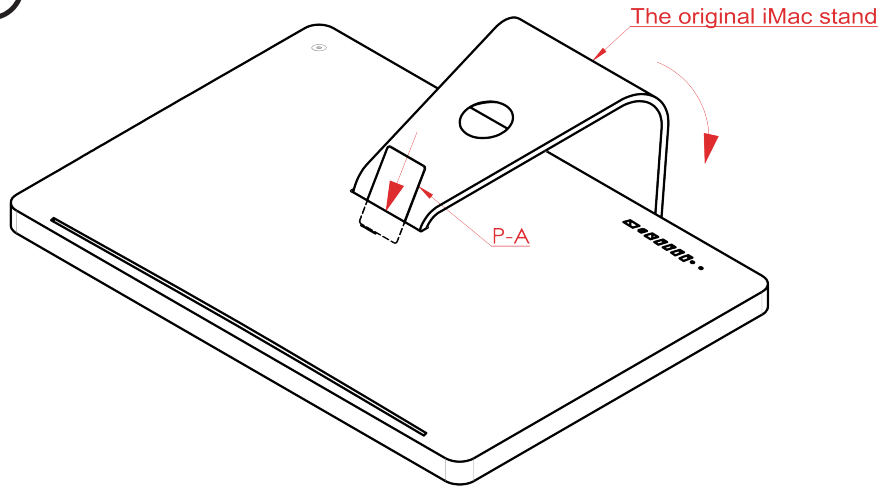


G-B



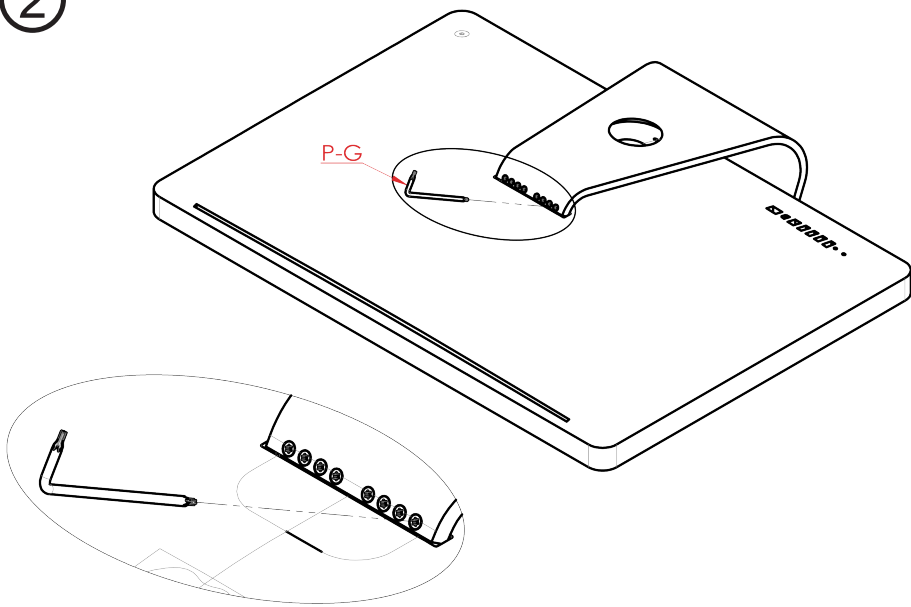
G-C

①



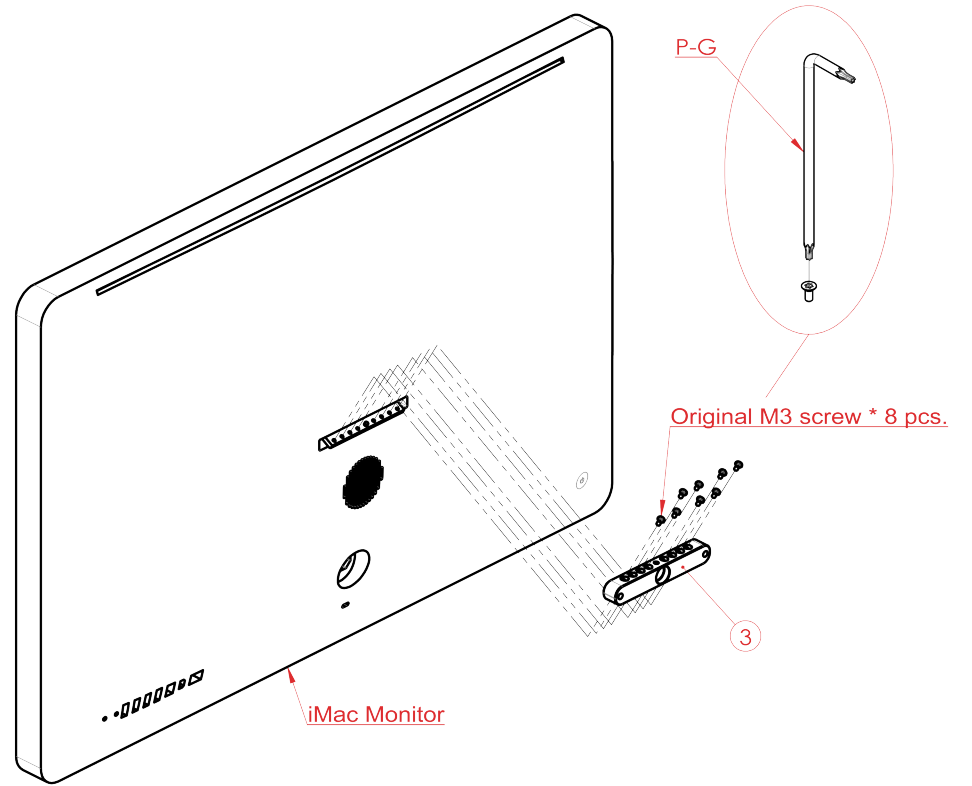
Insert (P-A) at a slight upward angle for about 3/4 inch.

②

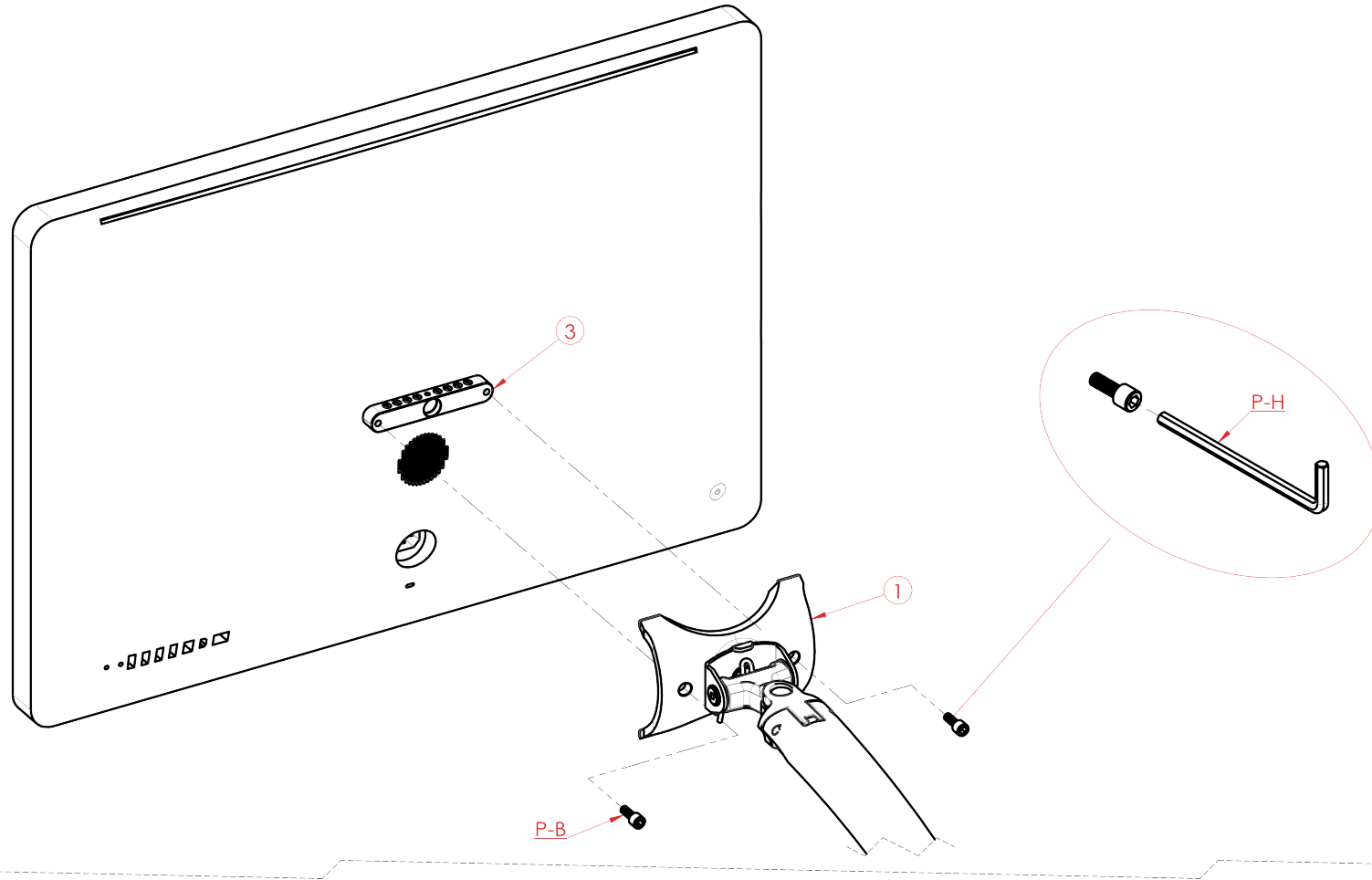


Separate the stand from iMac monitor and set the M3 screw 8 pcs aside carefully.

③

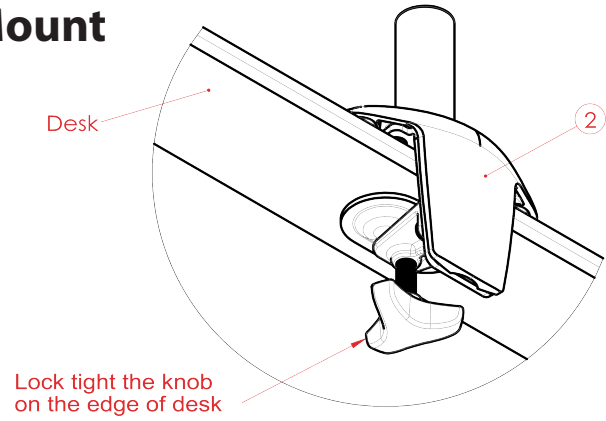


4

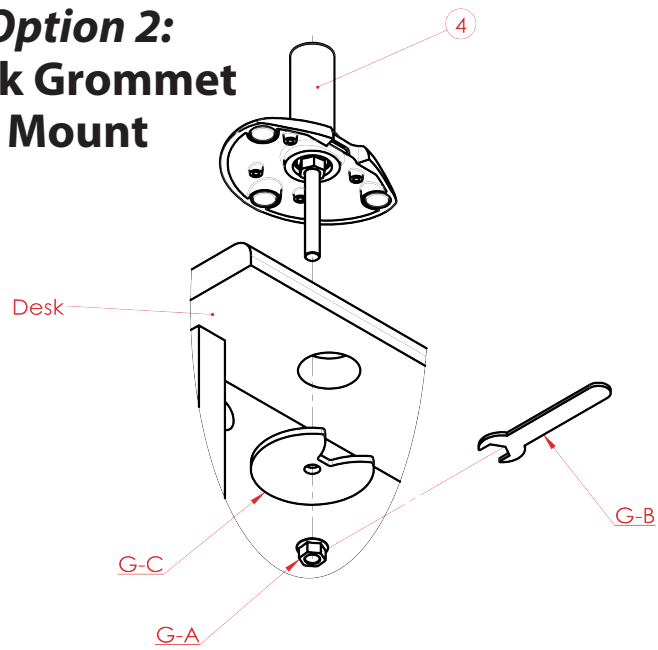


5

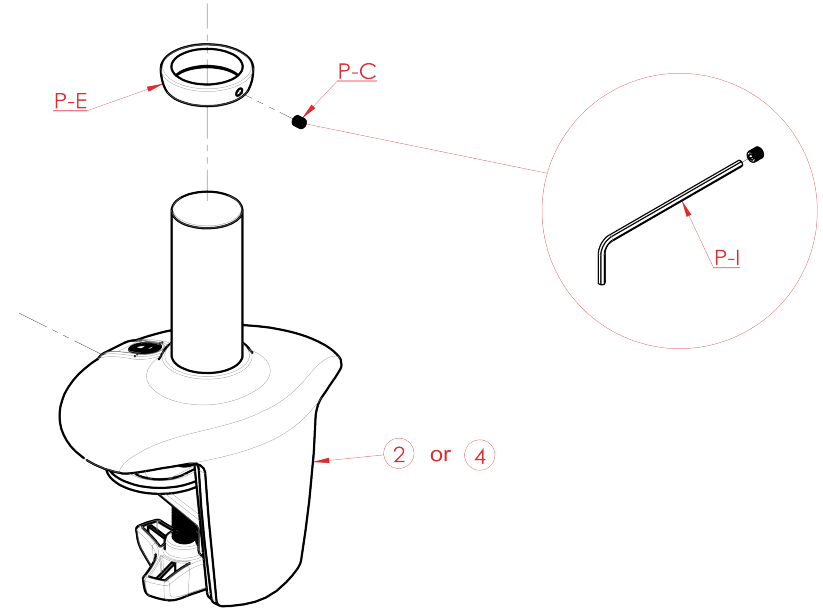
Option 1: Desk Clamp Mount



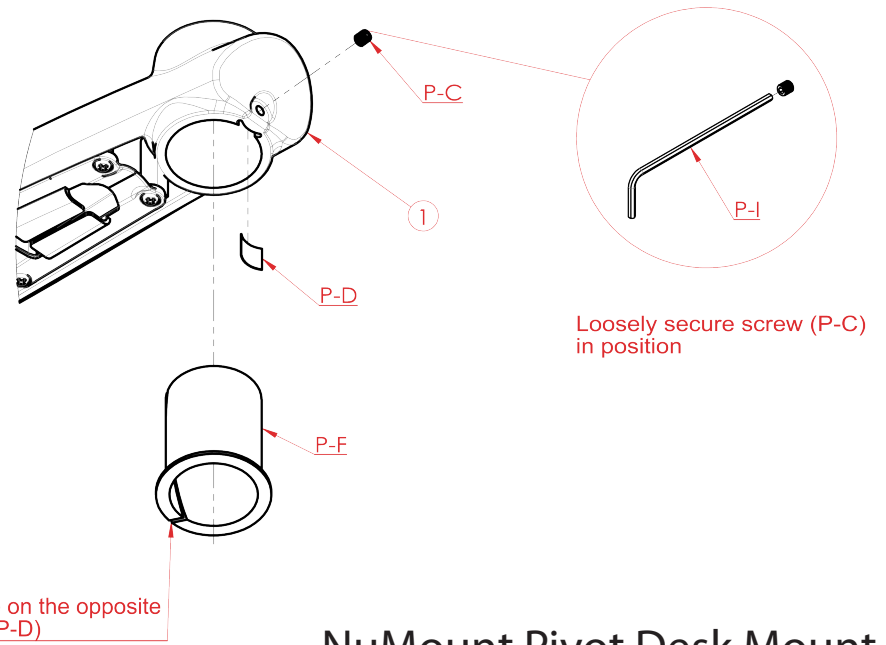
Option 2: Desk Grommet Mount



6

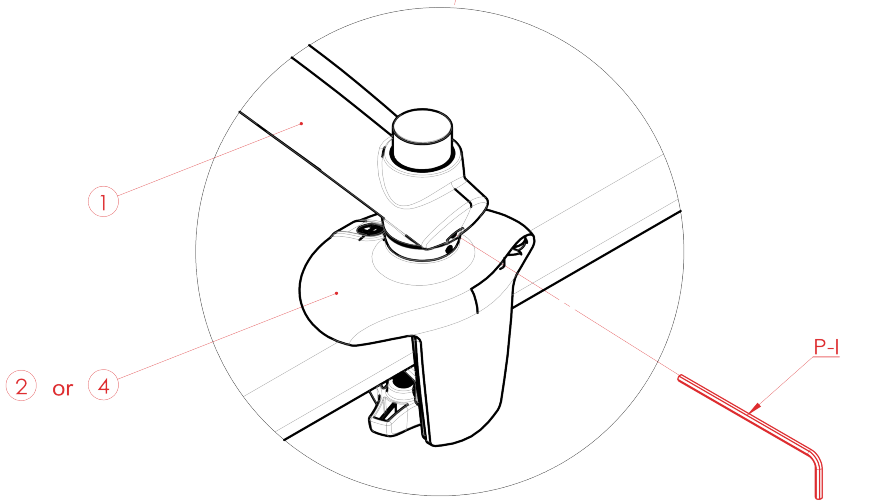
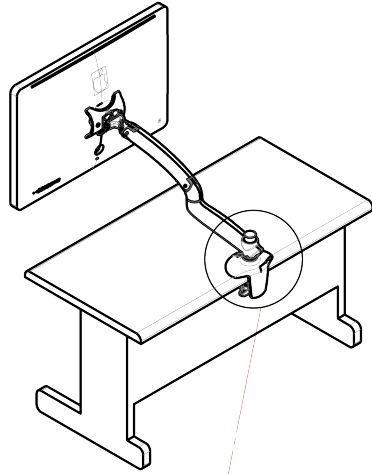


7



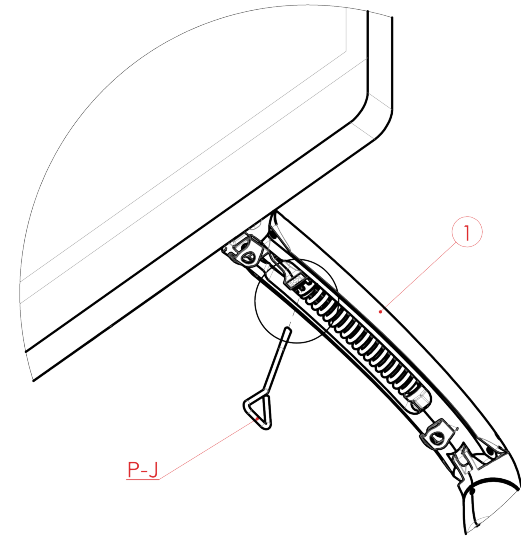
The gap should be on the opposite side to Fixed Clip(P-D)

8



Tighten Screw (P-C)

9



To adjust the tension of your mount.

