

### Main Contents

Pouch #	Part #	Qty	Description
	①	1	NuMount Pivot Arm
	②	1	Desk Clamp Base
	③	1	Desk Grommet Base (in box)

### Monitor Kit Contents

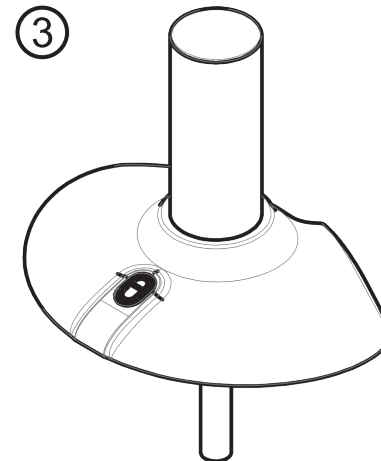
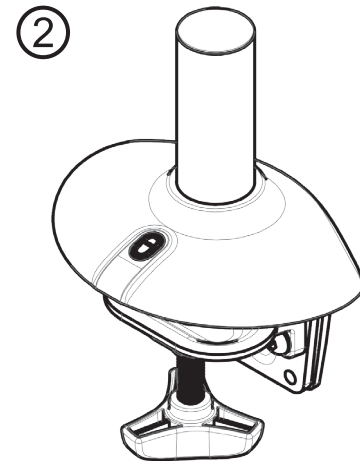
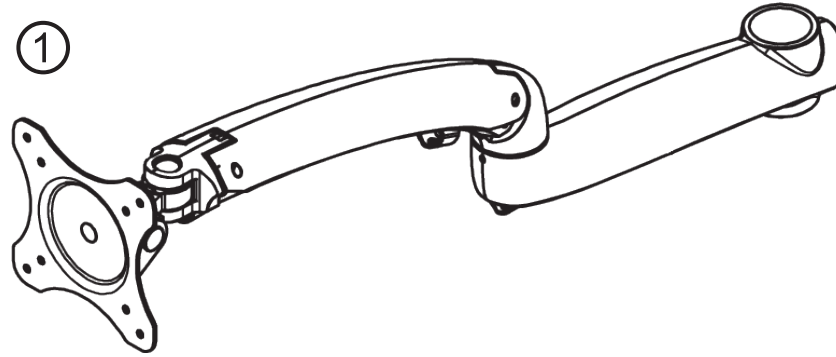
Pouch #	Part #	Qty	Description
A-1	A-A	4	M4 X 15MM Screw
A-1	A-B	4	M4 X 30MM Screw
A-2	A-C	4	M5 X 15MM Screw
A-2	A-D	4	M5 X 30MM Screw
A-3	A-E	4	5mm Spacer
A-3	A-F	4	10mm Spacer

### Hardware Kit Contents

Pouch #	Part #	Qty	Description
B-1	B-A	1	Adjustable Wrench
B-1	B-B	1	2.5mm Allen Wrench
B-1	B-C	1	3mm Allen Wrench
C-1	C-A	1	Fixed Clip
C-1	C-B	1	M6x5MM Socket Set Screw
C-1	C-C	1	Adjustable Arm Axle Sleeve
C-2	C-D	1	Arm Support Block
C-2	C-E	1	M5x5MM Socket Set Screw

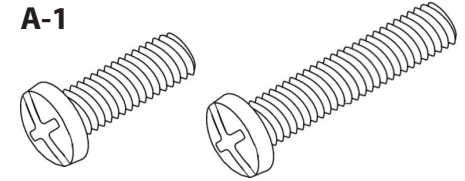
### Desk Grommet Kit Parts

Pouch #	Part #	Qty	Description
1	G-A	1	Round Plate
1	G-B	1	Flange Nut

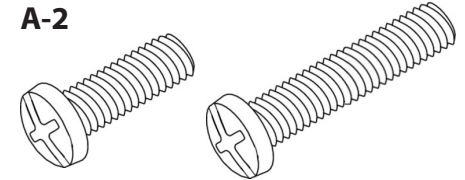


### Monitor Kit Contents

A-1



A-2

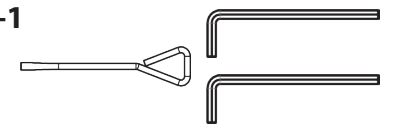


A-3

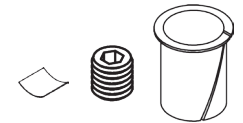


### Hardware Kit Contents

B-1



C-1

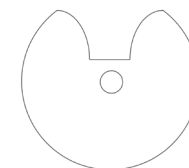


C-2

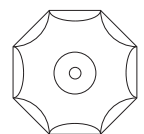


### Desk Grommet Kit Contents

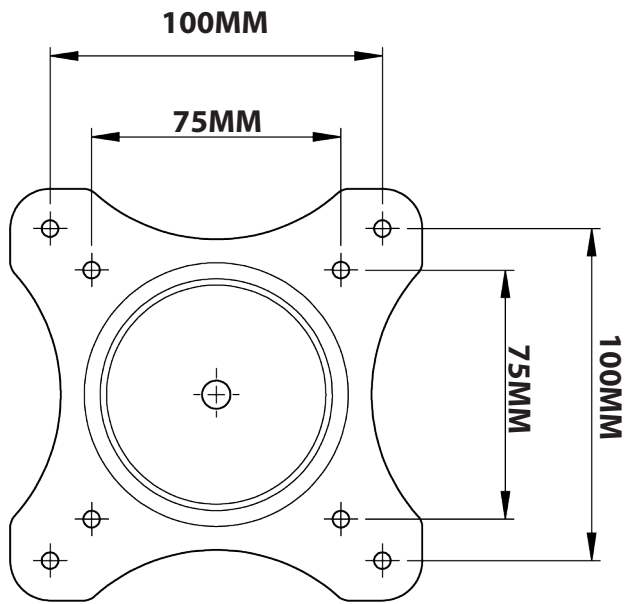
G-A



G-B

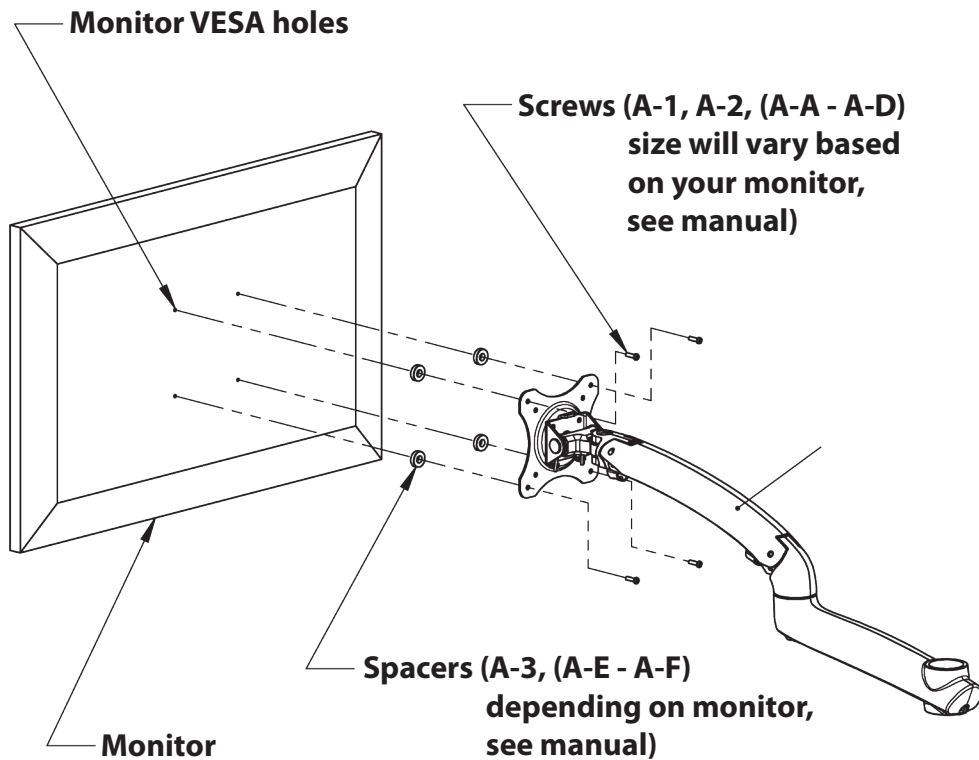


①



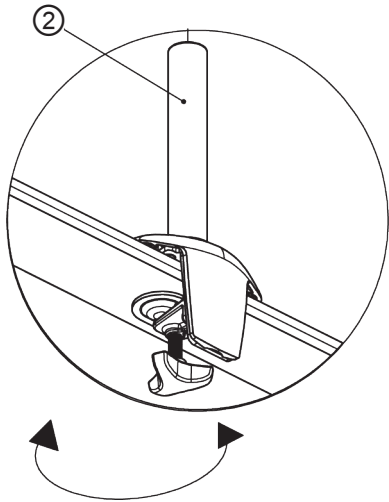
The NuMount Pivot VESA features mounting points for both 75MM and 100MM VESA compliant displays and computers.

②

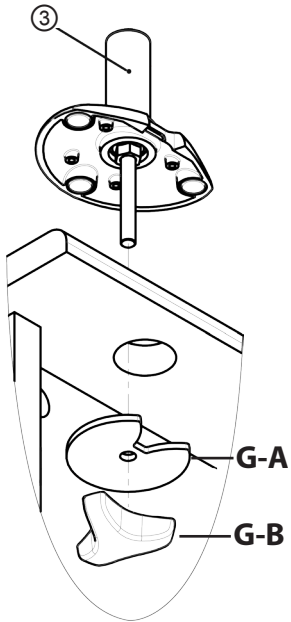


Attach your monitor to the NuMount Pivot VESA arm using the included screws and spacers. Check the manual for your monitor or computer to determine the correct size screws to use. There are screws and spacers included with this kit to accommodate most common possibilities.

### ③ Option 1: Desk Clamp Mount



Fasten the desk clamp base onto your desk and secure tightly using the integrated knob. Make sure that the base is firmly pressed against the side of the desk work surface.

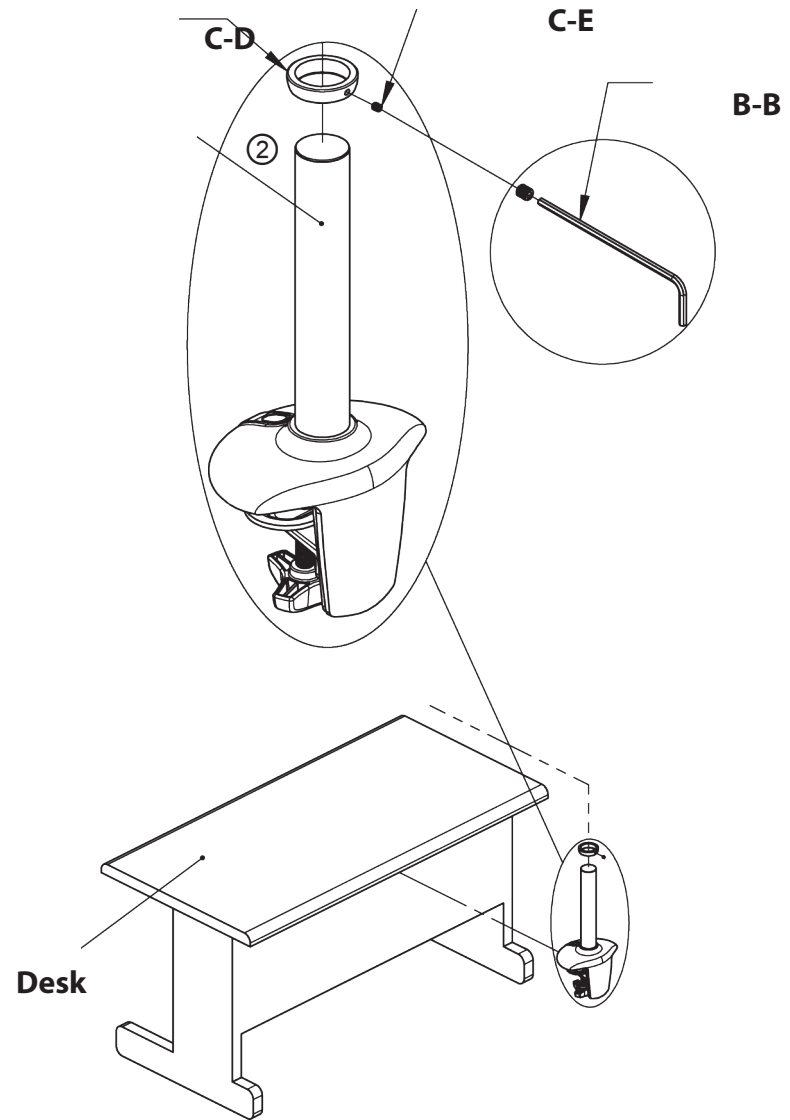


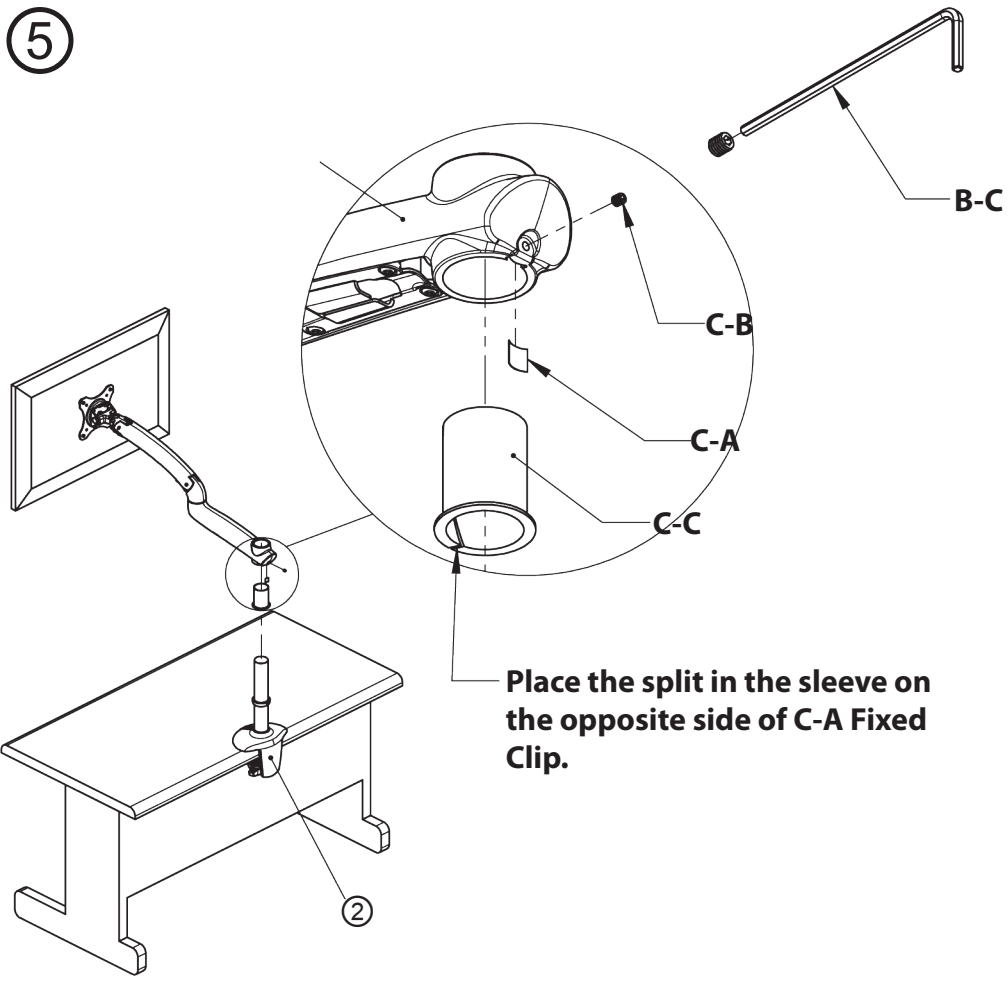
Optionally, the NuMount Pivot VESA desk mount includes a clamp for use in a desk grommet. If your desk has grommets in it, you can use this mount to secure the pivot arm. Clamp the desk grommet base to your work surface using the included mounting plate and wheel nut.

### ③ Option 2: Desk Grommet Mount

④

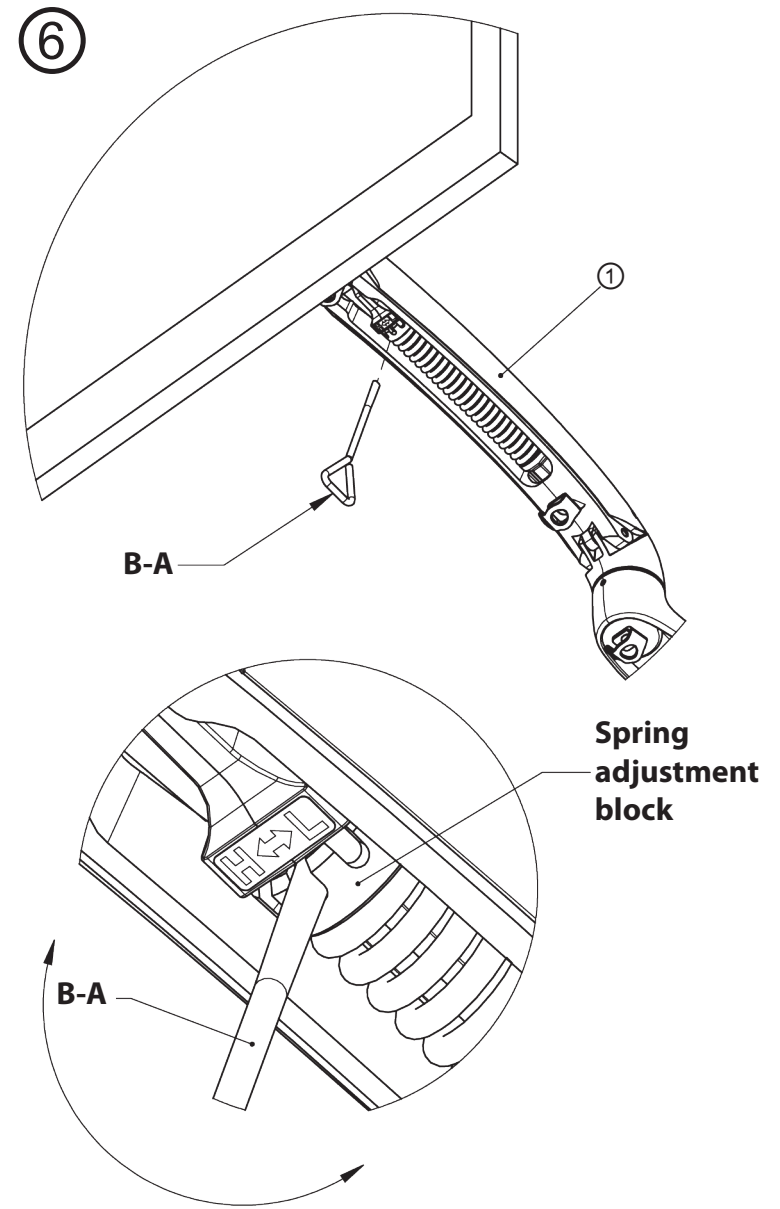
Slide the arm support block onto the desk clamp post. Insert the M5x5MM socket set screw into the arm support block. Adjust the height of the arm support block up or down to the height that you wish to use the monitor arm at. You may do this after final assembly.





Place the split in the sleeve on the opposite side of C-A Fixed Clip.

- ① Insert fixed clip (C-A) into the curved notch inside the NuMount Pivot arm.
- ② Insert the adjustable arm axel sleeve (C-C) into the NuMount Pivot arm with the split in the sleeve towards the front of the arm.
- ③ Insert the M6x5MM socket set screw (C-B) into the NuMount Pivot arm and lightly tighten with the 3MM allen wrench (B-C).
- ④ Place the NuMount Pivot arm mount onto the desk clamp base and rest it on top of the arm support block (C-D).



Adjust the tension on the NuMount Pivot VESA desk mount up or down to achieve the desired height and distance.