

Please refer to the Installation Guide first, to install your hard drive into the OWC NASPerform enclosure.

NASPerform Modes

USB 2.0 Mode

In USB 2.0 Mode, your NASPerform is directly attached to a Mac or PC USB 2.0 port. This is the first step to prepare and format the hard drive before you can connect your NASPerform into the network.

Network Mode

In Network Mode, your NASPerform is directly attached to a 100 Mbps / Full Duplex Fast Ethernet Switch, Internet Router or Wireless Access Point. Each User on the network can use your NASPerform as if it was a local disk drive. Please note that Ethernet Hub cannot support NetDisk.

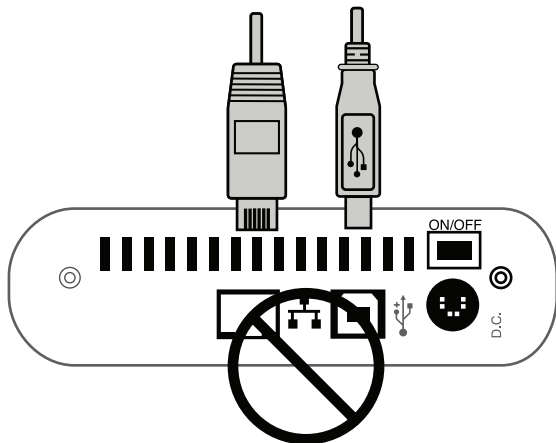
System Requirements

- Windows PC, Macintosh (Power PC based) desktop or notebook computer with network capability and USB port
- Windows 2000/ Windows XP
- Mac OS 10.2.8 to Mac OS 10.4.x*
- Pentium II 233MHz/compatible or above

**Certain limitations apply in Mac network*

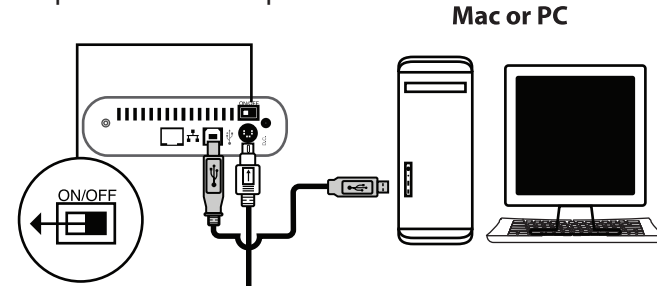
Hardware Installation

WARNING: DO NOT CONNECT USB CABLE AND ETHERNET CABLE AT THE SAME TIME.



USB Mode

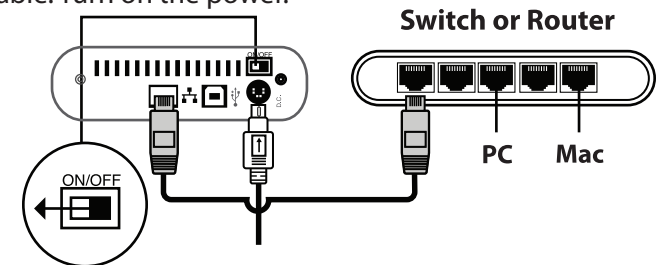
Connect the included USB cable from USB port on your NASPerform to your Mac or PC USB port. Turn on the power.



Make sure the power connector is connected firmly and slide the On/Off switch to the On Position

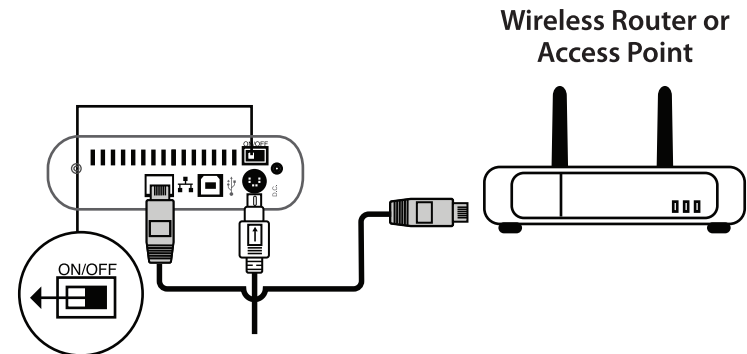
Network Mode

Connect your NASPerform to your Ethernet Switch or Router with included Ethernet cable. Turn on the power.



Make sure the power connector is connected firmly, and slide the On/Off switch to the On position.

For wireless users – Connect your NASPerform to your Wireless Router or Access Point with the included Ethernet cable. Turn on the power.



Make sure the power connector is connected firmly, and slide the On/Off switch to the On position.

Computer Network Requirements

Requirements for Windows 2000/XP Environment:

- All computers and NetDisk must be on the same LAN.
- NetDisk uses NTFS format.
- To share Read and Write access, all computers on the network using the Net Disk must have the same NetDisk driver version 3.x.x installed.
- NetDisk must be registered onto each computer.
- Write access can be assigned to every Windows 2000/XP computer simultaneously.

Requirements for All-Mac Environment or Mixed Environment with Windows 2000/XP and MacOS:

- All computers and NetDisk must be on the same LAN.
- NetDisk must use FAT32 format.
- To share NetDisk each computer on the network must install the corresponding NetDisk Driver.
- On Windows 2000/XP, install the same NetDisk driver v 3.x.x.
- On MacOSX, install the same NetDisk driver 1.x
- NetDisk must be registered onto each computer.
- **Write access is assigned to one Mac computer (For more detail, please refer to subsection Write Access in Software installation for Mac) at a time and is passed manually from one computer to another.**

NASPerform Software Installation

Insert included CD to install driver.

USB 2.0 Mode Installation

Windows 2000/XP and Mac OSX does not require additional USB driver. If the hard drive is not formatted, it will not mount in the computer. You can refer to section "IDE Hard Drive Partition and Format Procedures" in full user's manual on driver CD to format the NetDisk drive. Please note that FAT32 is required if NetDisk is to be accessed by both PC and Mac computers.

Network Mode Installation

For Windows 2000/XP

Open the Driver folder in CD and run setup.exe

For Mac OS 10.2.8 to OS 10.4.x

Open the corresponding OS folder in the CD, run "NDAS Install.mpkg".

Network Mode Setup Registration

NDAS Device Management in Windows PC

After software installation is complete in PC, you will find a NDAS Device Management icon on your desktop and on the system tray.



Network Mode Setup Registration

Windows 2000/ Windows XP:

1. Click NDAS Device Management, located on the System Tray.
2. Select "Register a New Device. Click on "Next" to continue.
3. Assign name for the device under "NDAS Device Name". Click on "Next" to continue.
4. Locate ID and key on bottom side of NASPerform enclosure. Enter the ID for the enclosure, and the Write Key for write access to the enclosure under "NDAS Device ID". Click on "Next" to continue.
5. Select the options available to mount the NDAS device or not. (Note: If Write Key was not provided when registering the device, "mount with read/write mode" option is gray-out, only "mount with read mode" option is available)
6. Once mount option is selected, "Found New Hardware wizard" window will show up. Select "Yes, this time only" option, and click on "Next".
7. Select "Install the software automatically" option, and click on "Next".
8. Click "Finish" to complete the installation procedure. The storage will appear under "My Computer" as a local hard drive.

NDAS Utility in Mac OSX:

1. Plug enclosure into available Local Area Network (LAN) port on the router or switch.
2. Open "NDAS Utility" within /Applications/Utilities/NDAS Utility.
3. Click on "+" (Register the New Device) icon on the top-left corner of the window.
4. Give the enclosure a name for "NDAS Device Name".
5. Locate ID and key on bottom side of NASPerform enclosure. Enter the ID for the enclosure for "NDAS Device ID".
6. Enter the "Write Key" for the enclosure to have write access to the storage.
7. Click on "Register" button to complete the registration process. Storage will be listed in the left window.
8. Select the hard drive under the storage.
9. Under "Unit Device" tab, for "Configuration", select mount with appropriate access rights. (Note: If "Write Key" was not provided when registering the device, "Mount with Read/Write" option is grayed out.)
10. The storage will mount onto the desktop, and can be accessed as regular storage device.